

NPort® 5100 Series

1-port RS-232/422/485 serial device servers



- > Small size for easy installation
- > Real COM/TTY drivers for Windows and Linux
- > Standard TCP/IP interface and versatile operation modes
- > Easy-to-use Windows utility for configuring multiple device servers
- > SNMP MIB-II for network management
- > Configure by Telnet, web browser, or Windows utility
- > Adjustable pull high/low resistor for RS-485 ports



Specifications

Ethernet Interface

Number of Ports: 1
Speed: 10/100 Mbps, auto MDI/MDIX
Connector: 8-pin RJ45
Magnetic Isolation Protection: 1.5 kV built-in

Serial Interface

Number of Ports: 1
Serial Standards:
 NPort 5110: RS-232
 NPort 5130: RS-422/485
 NPort 5150: RS-232/422/485
Connector: DB9 male
RS-485 Data Direction Control: ADDC® (Automatic Data Direction Control)
Pull High/Low Resistor for RS-485: 1 kΩ, 150 kΩ

Serial Communication Parameters

Data Bits: 5, 6, 7, 8
Stop Bits: 1, 1.5, 2
Parity: None, Even, Odd, Space, Mark
Flow Control: RTS/CTS and DTR/DSR (RS-232 only), XON/XOFF
Baudrate:
 NPort 5110: 110 bps to 230.4 kbps
 NPort 5130/5150: 50 bps to 921.6 kbps

Serial Signals

RS-232: TxD, RxD, RTS, CTS, DTR, DSR, DCD, GND
RS-422: Tx+, Tx-, Rx+, Rx-, GND
RS-485-4w: Tx+, Tx-, Rx+, Rx-, GND
RS-485-2w: Data+, Data-, GND

Software

Network Protocols: ICMP, IPv4, TCP, UDP, DHCP, BOOTP, Telnet, DNS, SNMP V1, ARP, HTTP, SMTP
Configuration Options: Web Console, Serial Console (NPort 5110/5150 only), Telnet Console, Windows Utility
Windows Real COM Drivers: Windows 95/98/ME/NT/2000, Windows XP/2003/Vista/2008/7/8/8.1/10 (x86/x64), Windows 2008 R2/2012/2012 R2 (x64), Windows Embedded CE 5.0/6.0, Windows XP Embedded
Fixed TTY Drivers: SCO Unix, SCO OpenServer, UnixWare 7, QNX 4.25, QNX 6, Solaris 10, FreeBSD, AIX 5.x, HP-UX 11i, Mac OS X
Linux Real TTY Drivers: Linux 2.4.x, 2.6.x, 3.x

Physical Characteristics

Housing: Metal
Weight: 340 g (0.75 lb)
Dimensions:
 Without ears: 52 x 80 x 22 mm (2.05 x 3.15 x 0.87 in)
 With ears: 75.2 x 80 x 22 mm (2.96 x 3.15 x 0.87 in)

Environmental Limits

Operating Temperature:
 Standard Models: 0 to 55°C (32 to 131°F)
 Wide Temp. Models: -40 to 75°C (-40 to 167°F)
Storage Temperature: -40 to 75°C (-40 to 167°F)
Ambient Relative Humidity: 5 to 95% (non-condensing)

Power Requirements

Input Voltage: 12 to 48 VDC
Input Current:
 NPort 5110: 128.7 mA @ 12 VDC
 NPort 5130/5150: 200 mA @ 12 VDC

Standards and Certifications

Safety: UL 60950-1
EMC: EN 55022/24
EMI: CISPR 22, FCC Part 15B Class A
EMS:
 IEC 61000-4-2 ESD: Contact: 4 kV; Air: 8 kV
 IEC 61000-4-3 RS: 80 MHz to 1 GHz: 3 V/m
 IEC 61000-4-4 EFT: Power: 1 kV; Signal: 1 kV
 IEC 61000-4-5 Surge: Power: 1 kV
 IEC 61000-4-6 CS: 150 kHz to 80 MHz: 3 V/m; Signal: 3 V/m
 IEC 61000-4-8 PFMF
 IEC 61000-4-11 DIPs

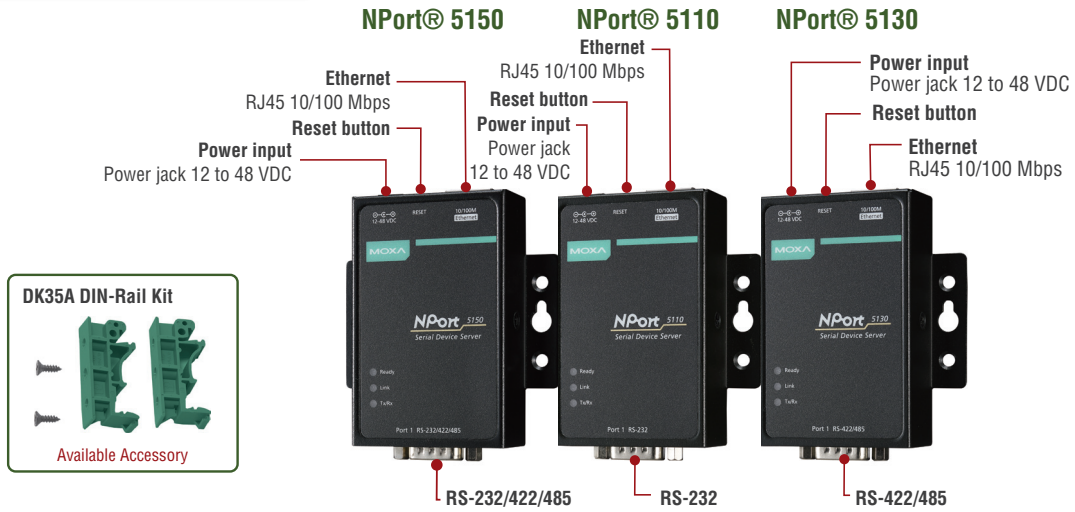
Reliability

Automatic Reboot Trigger: Built-in WDT (watchdog timer)
MTBF (mean time between failures)
Time:
 NPort 5110: 3,126,448 hrs
 NPort 5130: 2,836,863 hrs
 NPort 5150: 2,736,202 hrs
Standard: Telcordia (Bellcore) Standard TR/SR

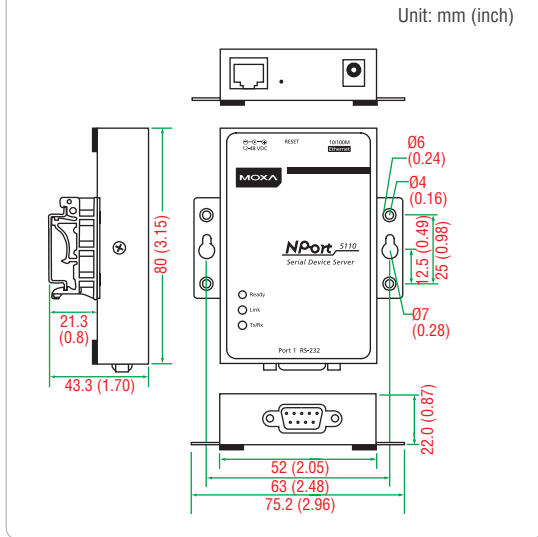
Warranty

Warranty Period: 5 years
Details: See www.moxa.com/warranty

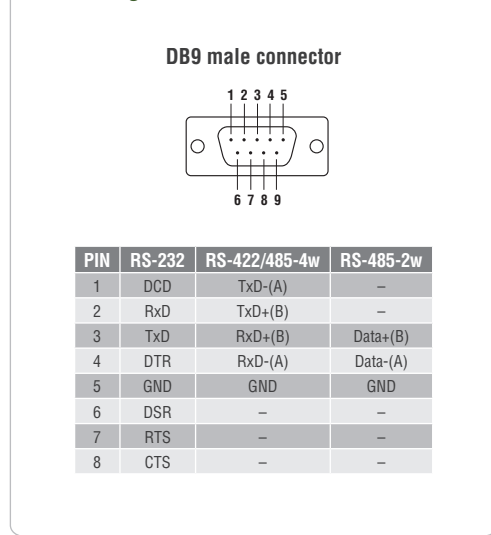
: Appearance



Dimensions



Pin Assignment



: Ordering Information

Available Models

- NPort 5110:** 1-port RS-232 device server, 0 to 55°C operating temperature
- NPort 5130:** 1-port RS-422/485 device server, 0 to 55°C operating temperature
- NPort 5150:** 1-port RS-232/422/485 device server, 0 to 55°C operating temperature
- NPort 5110-T:** 1-port RS-232 device server, -40 to 75°C operating temperature

Optional Accessories (can be purchased separately)

- DK35A:** DIN-rail mounting clips, 35 mm, 2 DIN-rail plates with 4 screws
 - Mini DB9F-to-TB:** DB9 female to terminal block adapter for RS-422/485 applications
- Note: One power cord suitable for your region is included in the product package. Additional power cords can be purchased separately. Please refer to the Power Accessory Selection Guide for details.

Package Checklist

- 1 NPort 5100 device server
- 100 to 240 VAC standard operating temp. power adapter (excluding T models)*
- Documentation and software CD
- Quick installation guide (printed)
- Warranty card

*The package includes one power adapter suitable for your region.

AC Power Adapters (standard temp.)

Non-locking barrel plugs, 12 VDC, 0.5 A

Model Name	PWR-12050-WPUSJP-S2	PWR-12050-WPEU-S2	PWR-12050-WPUK-S2	PWR-12050-WPAU-S2	PWR-12050-WPCN-S2
					
Input Rating					
I/P	100-240 VAC 50-60 Hz	100-240 VAC 50-60 Hz	100-240 VAC 50-60 Hz	100-240 VAC 50-60 Hz	100-240 VAC 50-60 Hz
Input Plug					
Plug Type	US/JP	EU	UK	AU	CN
Output Rating					
O/P	0.5 A @ 12 VDC	0.5 A @ 12 VDC	0.5 A @ 12 VDC	0.5 A @ 12 VDC	0.5 A @ 12 VDC
Output Plug					
Connector Type	L-Type 5.5/2.1/9.0	L-Type 5.5/2.1/9.0	L-Type 5.5/2.1/9.0	L-Type 5.5/2.1/9.0	L-Type 5.5/2.1/9.0
Outer Diameter	5.5 ± 0.1 mm	5.5 ± 0.1 mm	5.5 ± 0.1 mm	5.5 ± 0.1 mm	5.5 ± 0.1 mm
Inner Diameter	2.1 ± 0.1 mm	2.1 ± 0.1 mm	2.1 ± 0.1 mm	2.1 ± 0.1 mm	2.1 ± 0.1 mm
Physical Characteristics					
Dimensions (L x W x H)	64 x 40.5 x 47.5 mm	64 x 40.5 x 68.7 mm	64 x 40.5 x 56.2 mm	64 x 40.5 x 58.5 mm	64 x 40.5 x 46.5 mm
Packaged Dimensions (L x W x H)	83 x 50 x 70 mm	83 x 50 x 70 mm	83 x 50 x 70 mm	83 x 50 x 70 mm	83 x 50 x 70 mm
Weight	70 g	70 g	70 g	70 g	70 g
Cord Length	1830 ± 100 mm	1830 ± 100 mm	1830 ± 100 mm	1830 ± 100 mm	1830 ± 100 mm
Environmental Limits					
Operating Temperature	0 to 40°C (32 to 104°F)	0 to 40°C (32 to 104°F)	0 to 40°C (32 to 104°F)	0 to 40°C (32 to 104°F)	0 to 40°C (32 to 104°F)
Storage Temperature	-10 to 70°C (14 to 158°F)	-10 to 70°C (14 to 158°F)	-10 to 70°C (14 to 158°F)	-10 to 70°C (14 to 158°F)	-10 to 70°C (14 to 158°F)
Regulatory Approvals					
Safety	CE/FCC/UL/RMC/PSE/CCC	CE/FCC/UL/RMC/PSE/CCC	CE/FCC/UL/RMC/PSE/CCC	CE/FCC/UL/RMC/PSE/CCC	CE/FCC/UL/RMC/PSE/CCC
Regulatory Products					
Related Products	NPort 5110, NPort 5130, NPort 5150, NPort 5210, NPort 5230, NPort 5232, NPort 5232i, MGate MB3180, MGate MB3280, DE-211, DE-311, A52, A53, MiiNePort E1-ST				

DC Power Cord

Non-locking barrel plug to bare wires

CBL-PJTB-10

Cable Length: 100 ± 20 mm



AC Power Adapters (wide temp.)

Locking barrel plugs, 12 VDC, 1.5 A

Model Name	PWR-12150-USJP-SA-T	PWR-12150-EU-SA-T	PWR-12150-UK-SA-T	PWR-12150-AU-SA-T	PWR-12150-CN-SA-T
					
Input Rating					
I/P	100-240 VAC, 50-60 Hz	100-240 VAC, 50-60 Hz	100-240 VAC, 50-60 Hz	100-240 VAC, 50-60 Hz	100-240 VAC, 50-60 Hz
Input Plug					
Plug Type	US/JP	EU	UK	AU	CN
Output Rating					
O/P	1.5 A @ 12 VDC	1.5 A @ 12 VDC	1.5 A @ 12 VDC	1.5 A @ 12 VDC	1.5 A @ 12 VDC
Protection Requirements					
Protection	Over current protection/ Over voltage protection				
Output Plug					
Connector Type	L-Type 5.5/2.1/7.5	L-Type 5.5/2.1/7.5	L-Type 5.5/2.1/7.5	L-Type 5.5/2.1/7.5	L-Type 5.5/2.1/7.5
Outer Diameter	5.5 ± 0.1 mm	5.5 ± 0.1 mm	5.5 ± 0.1 mm	5.5 ± 0.1 mm	5.5 ± 0.1 mm
Inner Diameter	2.1 ± 0.1 mm	2.1 ± 0.1 mm	2.1 ± 0.1 mm	2.1 ± 0.1 mm	2.1 ± 0.1 mm
Physical Characteristics					
Dimensions (L x W x H)	32 x 70.3 x 88 mm	32 x 85.3 x 88 mm	50 x 91 x 82.5 mm	41 x 73.9 x 89.5 mm	32 x 69 x 88 mm
Packaged Dimensions (L x W x H)	50 x 70 x 83 mm	50 x 70 x 83 mm	50 x 70 x 83 mm	50 x 70 x 83 mm	50 x 70 x 83 mm
Weight	200 g	200 g	200 g	200 g	200 g
Cord Length	1500 ± 200 mm	1500 ± 200 mm	1500 ± 200 mm	1500 ± 200 mm	1500 ± 200 mm
Environmental Limits					
Operating Temperature	-40 to 75°C (-40 to 167°F)	-40 to 75°C (-40 to 167°F)	-40 to 75°C (-40 to 167°F)	-40 to 75°C (-40 to 167°F)	-40 to 75°C (-40 to 167°F)
Storage Temperature	-20 to 70°C (-4 to 158°F)	-20 to 70°C (-4 to 158°F)	-20 to 70°C (-4 to 158°F)	-20 to 70°C (-4 to 158°F)	-20 to 70°C (-4 to 158°F)
Regulatory Approvals					
Safety	FCC/UL/PSE	TUV/CE/GS	CE	RCM	CCC
Related Products					
Related Products	NPort 5110-T, NPort 5450-T, NPort 5450I-T, NPort 5110A-T, NPort 5610-8-DTL-T, NPort 5650-8-DTL-T, NPort 5650I-8-DTL-T, NPort 5130A-T, NPort 5150A-T, NPort 5210A-T, NPort 5230A-T, NPort 5250A-T, NPort 6100-T, NPort 6200-T, NPort 6400-T				